

By EFTCG  
**NORDIC**  
F A C A D E

**AITRAMS**  
SF85

By EFTCG  
F A C A D E  
**NORDIC**





Unique folding doors  
with impressive minimal design,  
thermal insulation and performance

AITRAMS SF85 is an exceptional folding door system with minimal design and extraordinary narrow sight lines. At the same time, the series offers outstanding performance and the ability to create very large constructions.

DESIGN PHILOSOPHY & CHARACTERISTICS	4
UNPARALLELED ADVANTAGES	6
SPECIAL FEATURES & FITTINGS	10
SECTIONS	14
APPLICATIONS	24
PERFORMANCE	26

# Design philosophy & characteristics



- / Extremely reduced sight lines and excellent minimal design.
- / Very large dimensions in terms of height (up to 4,0 m), vent width (exceeding 1,5 m) and total construction width.
- / Extremely high thermal insulation for maximum energy savings.
- / Outstanding performance in terms of water tightness, air permeability and wind load resistance.
- / Enhanced safety and burglar protection due to quadruple locking latches and anti-lift mechanism.
- / Ultra-smooth and long-lasting operation.

## Technical characteristics

Sash width	85 mm
Sash to sash sight line	105 mm
Glazing	21-58 mm
Thermal insulation	Polyamides 40 mm width, NRG insulation bar & PE insulation foam
Main gasket	Co-extruded foam EPDM
Panel locking	Quadruple latches
Vent weight	Up to 200 Kg/vent

Impressive energy efficiency and security, combined with timeless aesthetics and remarkably oversized constructions

AITRAMS SF85 is ideal for flawless high-end residential and commercial applications, as well as for heavy-duty constructions. Its flexibility and the variety of typologies (e.g. even & odd number of vents, corner typologies and semi-structural version), provide numerous construction solutions, meeting every need in a very effective and elegant way.

# Total comfort & sense of freedom



## Incomparable Aesthetics

Minimal design with amazingly reduced sight lines and less aluminium, since the system allows constructions of much wider vents and consequently fewer vents are needed to cover large spans (e.g. five vents instead of seven).

- / Sash to sash sight line: 105 mm.
- / Frame to sash sight line: 110 mm.
- / Vent width can exceed: 1,5 m.

The available semi-structural version can upgrade the aesthetic value of the building even further.

## Extremely large dimensions

The system achieves very large dimensions in terms of:

- / Height: up to 4,0 m.
- / Vent width: up to 1,5 m.
- / Total width: possibility for large number of vents and very wide spans.

Ideal for modern residences especially when wider vents are required (e.g. 3 vents of 1,5 m width each, instead of 5 vents of 0,90 m width).

Ideal for commercial projects with structures of 4,0 m height and with a large number of vents.

## Variety and flexibility

Vast variety of folding door solutions thanks to the numerous typologies and the flexible design of the system.

- / Odd number of vents (e.g. 3+0, 7+1, 5+3).
- / Even number of vents (e.g. 4+0, 2+1, 4+3).
- / Corner constructions.
- / Semi-structural version.
- / Inwards or outwards opening.
- / Standard or low threshold.



#### Extremely high thermal efficiency

High energy savings with values around 1,0 W/m<sup>2</sup>K thanks to co-extruded EPDM foam gasket, Kooltherm core, 40 mm width polyamides, PE insulation

#### Top level of security

Enhanced burglar protection levels, which meet all industry security standards thanks to:

- / Quadruple locking latches from glass reinforced polyamide (instead double).
- / Bottom roller-hinge with anti-lift mechanism.
- / Profile and hinges sturdiness.
- / 5-point lock.
- / Possibility for very thick glazing (21-58 mm).

#### Reliability

Smooth, long-lasting and flawless operation due to the special top and bottom roller-hinges, the heavy-duty hinges and the overall quality of the system.

#### Outstanding performance

- / Air permeability: class 4.
- / Wind load resistance: class C3/B3.
- / Water tightness: class 7A.

Certified by the IFT Rosenheim Institute.



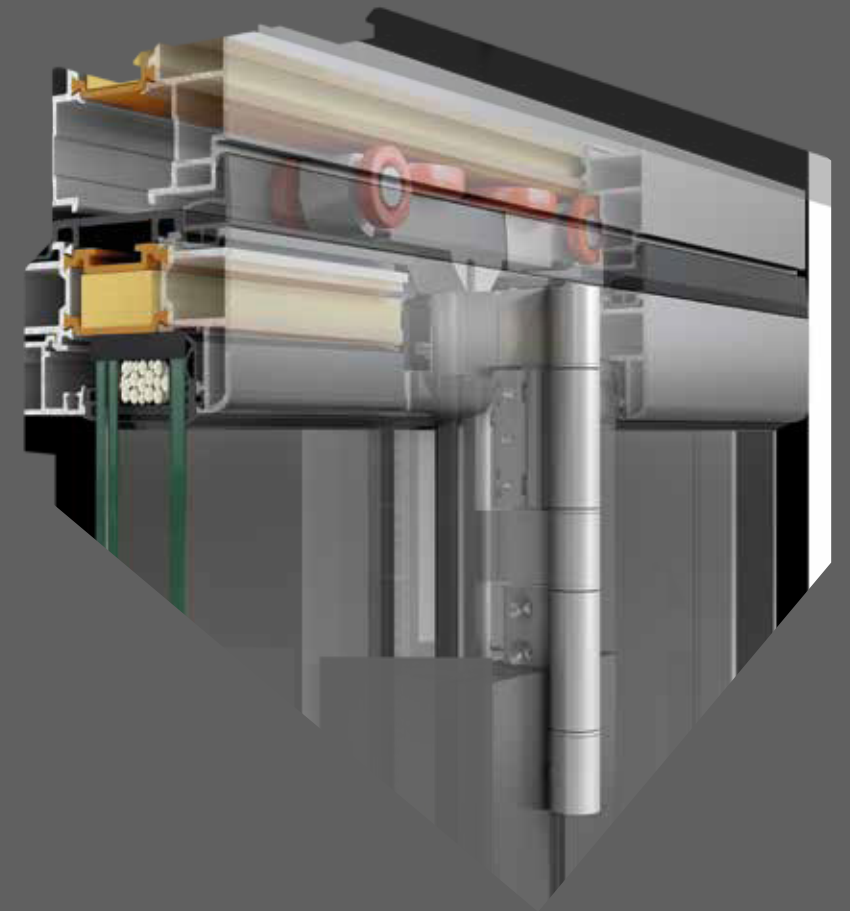
# Attention to detail

State-of-the-art fittings specially designed to achieve unparalleled performance and smooth bottom-slide operation.

## Special top roller-hinge

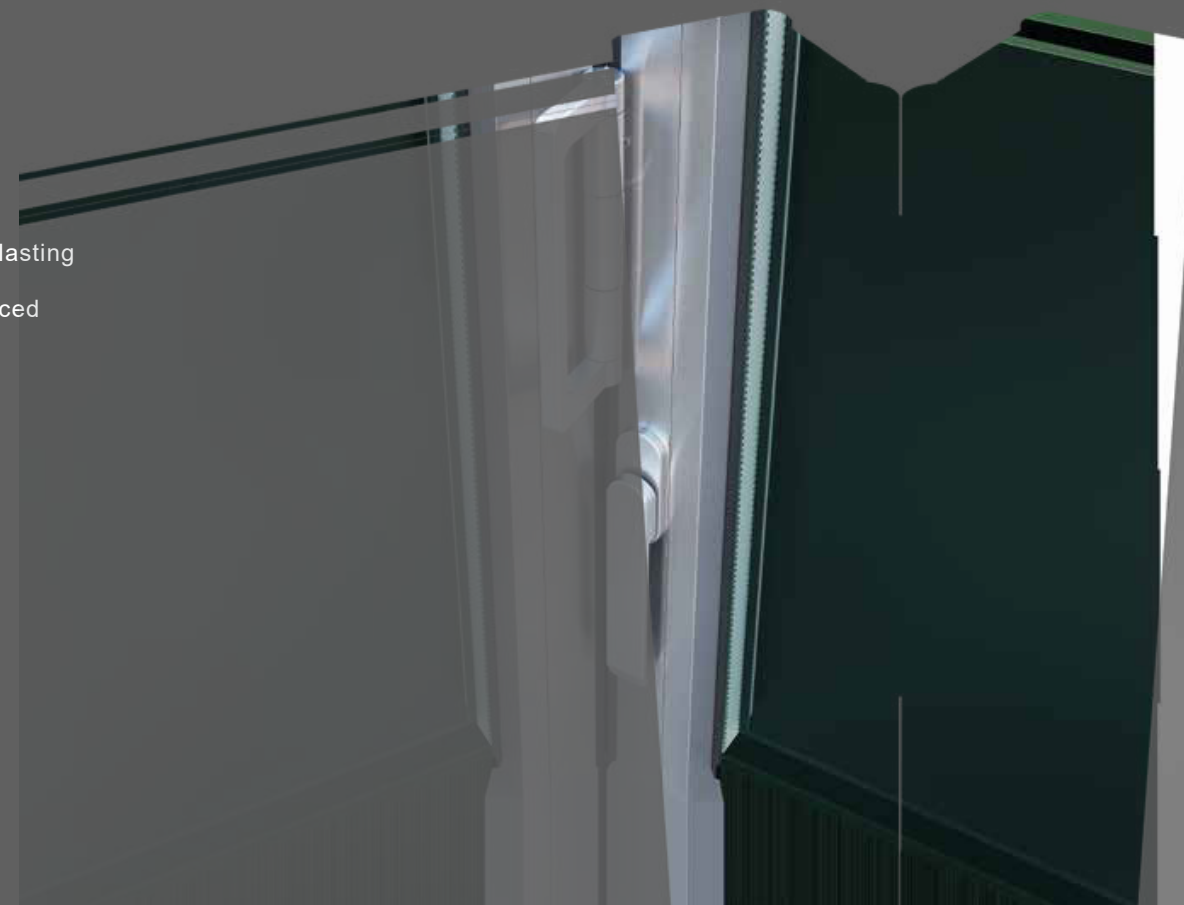
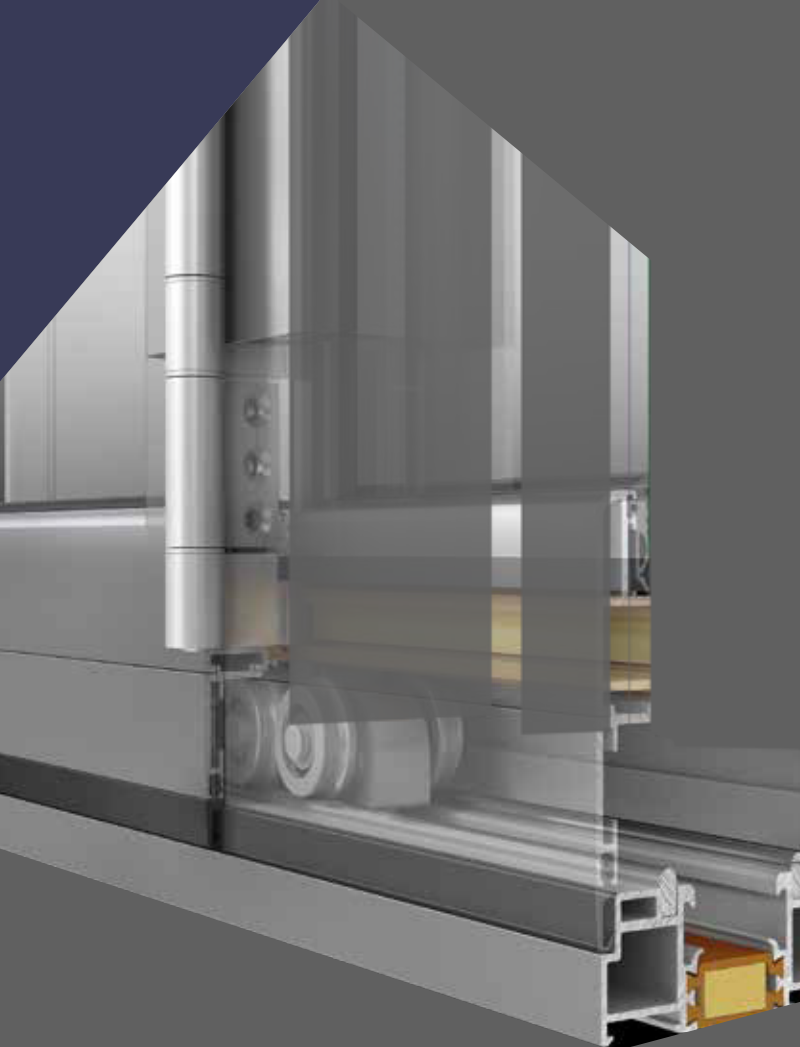
Though bottom-slide operation, the top roller-hinge, apart from guiding the vents:

- / contributes in lifting the vent thanks to a special spring mechanism.
- / is quite long to prevent the vents from rotating during operation.



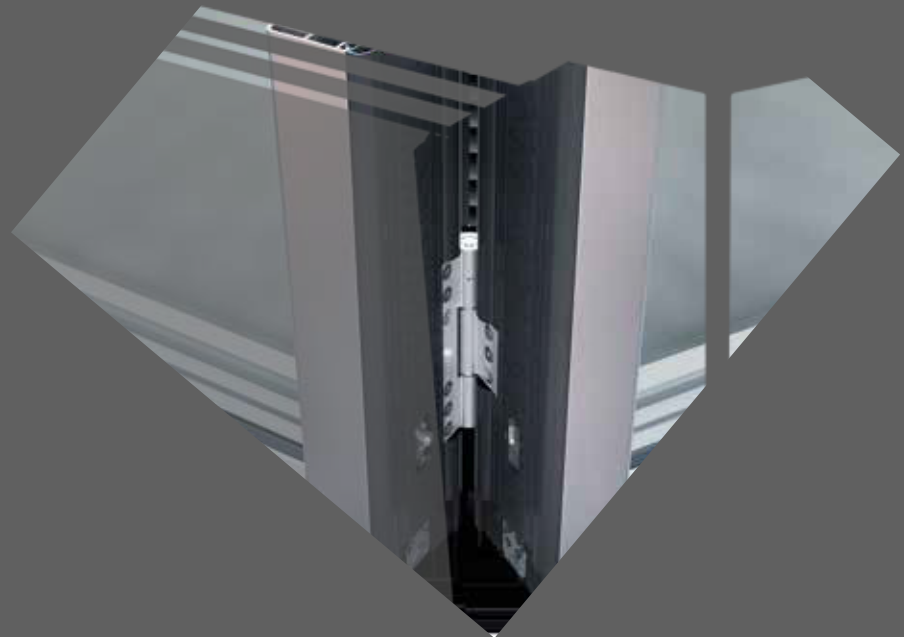
## Special bottom roller-hinge

- / Max weight up to 500 Kg.
- / Anodised body, stainless steel rollers and rust-protected bearings.
- / Allows very large dimensions.
- / Enables very easy installation and long-lasting flawless operation.
- / Anti-lift protection mechanism for enhanced burglar protection.



## Fittings for easy handling

- / Extremely efficient heavy-duty hinges: three (3) hinges are in most times adequate for each pair of vents.
- / Pull-handle attached on the intermediate hinge.
  - / Special Nordic Facade design handle for the intermediate vents.
- / Nordic Facade design door handle.



- / Intermediate vents locking with special quadruple latches made of glass reinforced polyamide.
- / Single co-extruded gasket made of EPDM and foam.
- / Double set of glass reinforced polyamides 40 mm.
- / Kooltherm and PE insulation foam for enhanced thermal insulation.



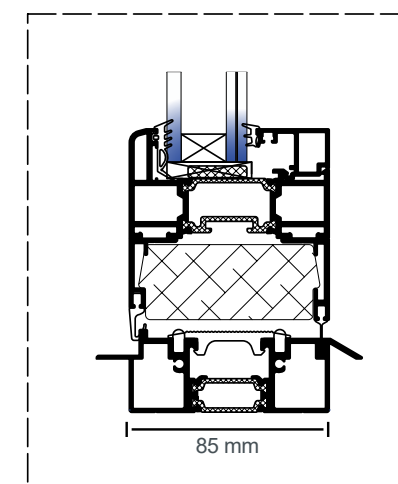
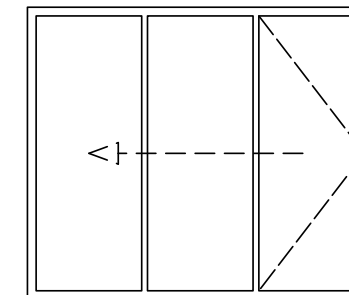
- / Special fittings for the easy adjustment of the double frame profile.
- / Option between solid or hollow inox guide rails.
- / Enhanced sealing around the hinge thanks to special rubber fittings.
- / Special cap for the milled part of the guide.
- / Rubber fitting to cover the guide rail beneath the hinged door.



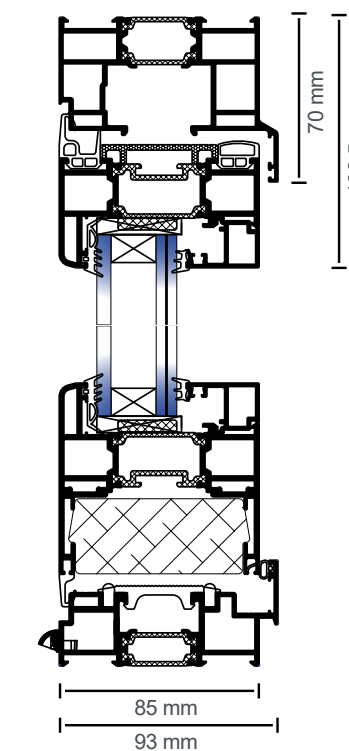
- / Standard version with glazing beads for various glass thicknesses.
- / Semi-structural version for a unique result.
- / Option between standard or low threshold.



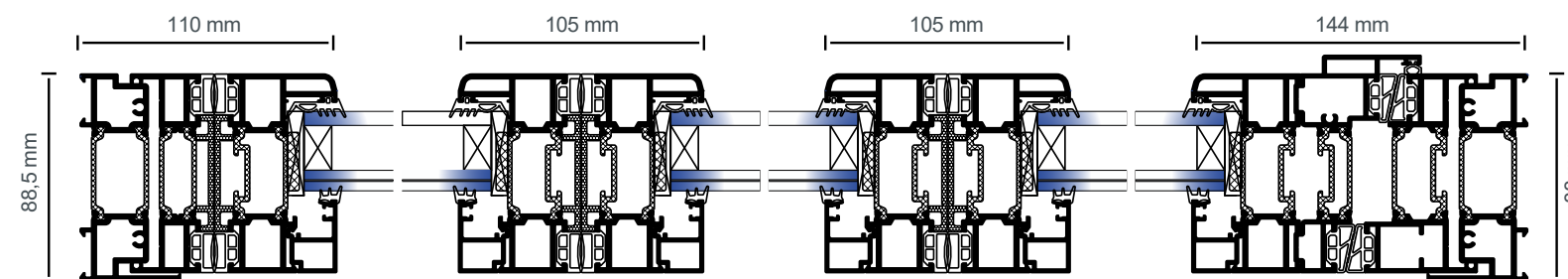
3 vents  
one side

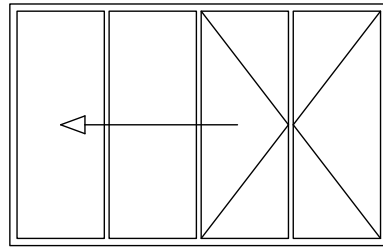


low threshold

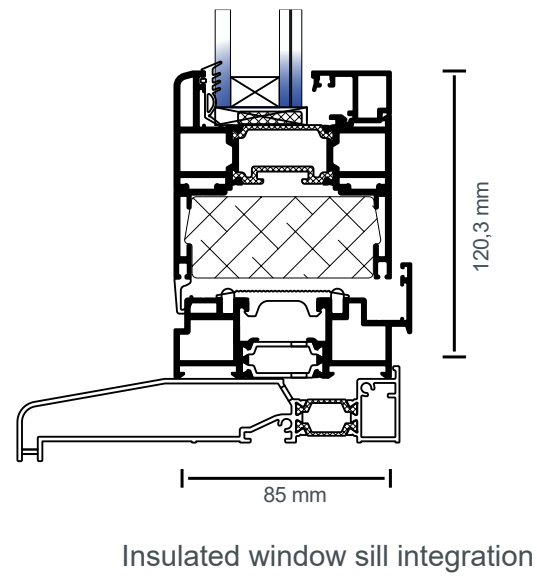
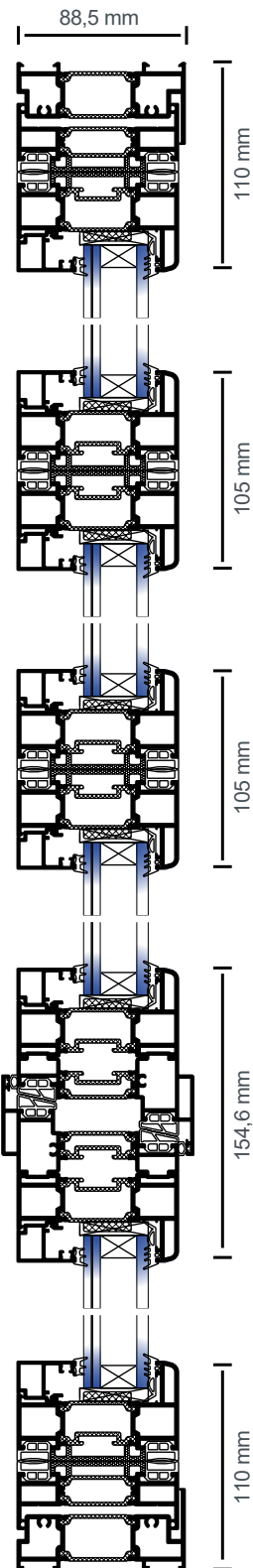
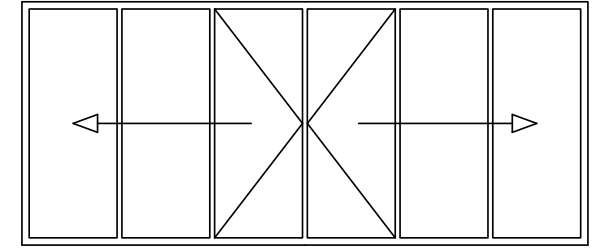


standard threshold

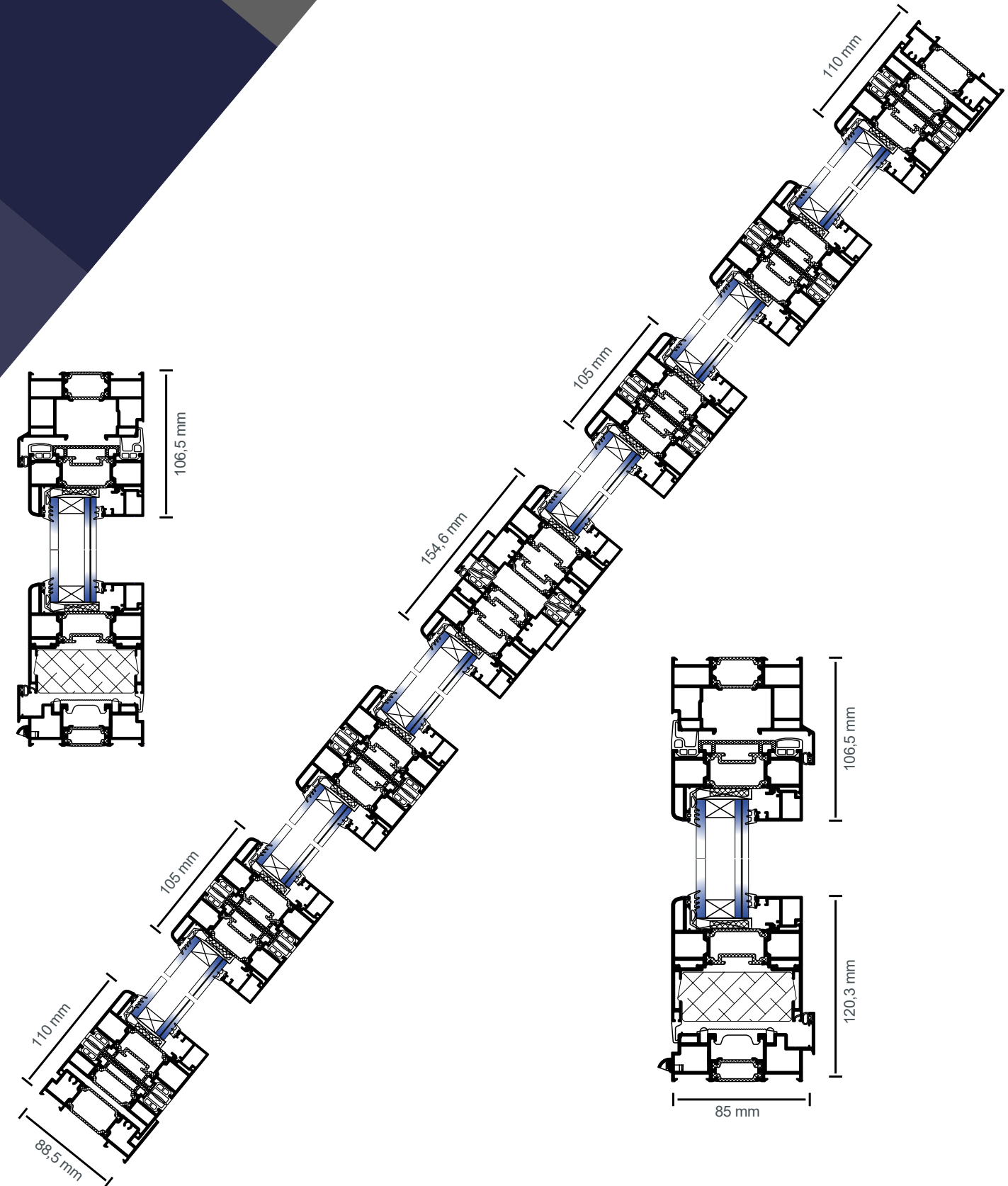
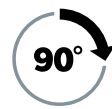




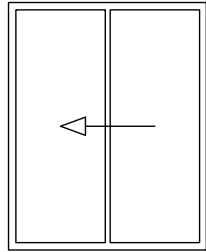
3+3 vents  
meeting stile



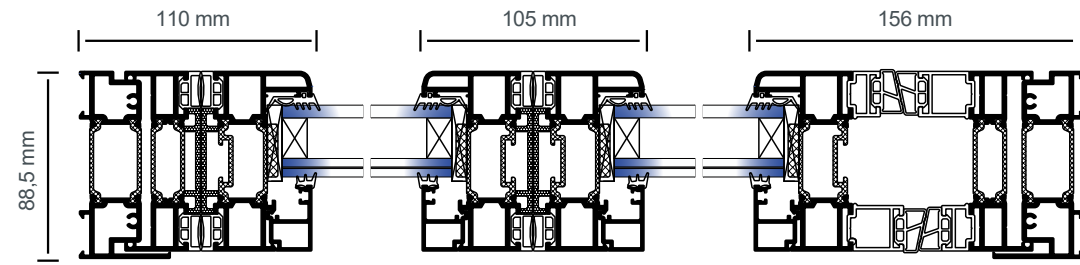
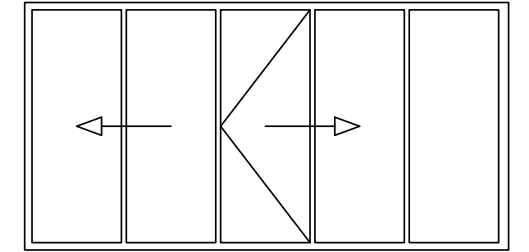
Insulated window sill integration



3+1 vents  
door panel



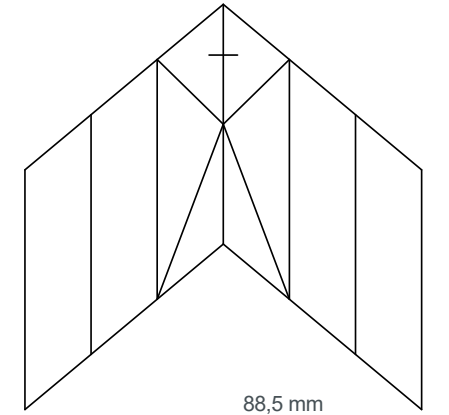
3+2 vents  
meeting stile



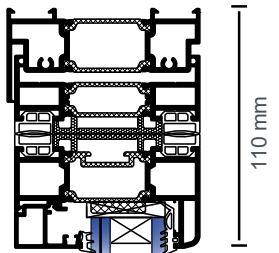
2 vents  
one side



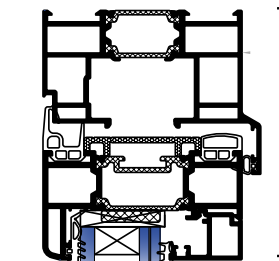
# 3+3 corner construction



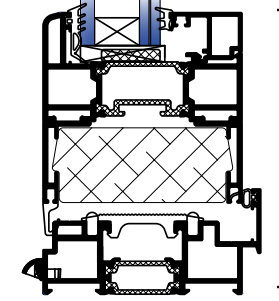
88,5 mm



110 mm

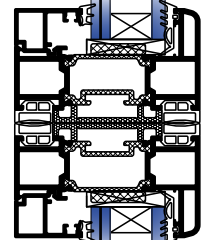


106,5 mm

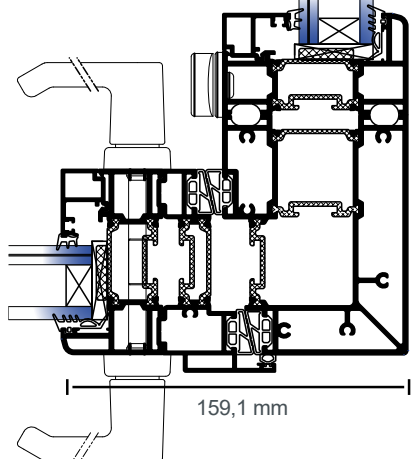
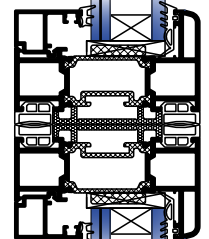


120,3 mm

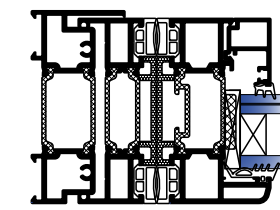
85 mm



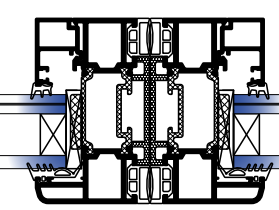
105 mm



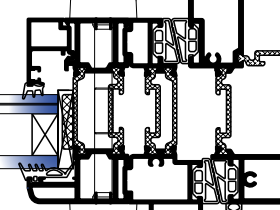
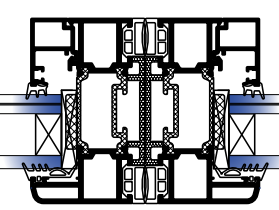
155,7 mm



63,5 mm

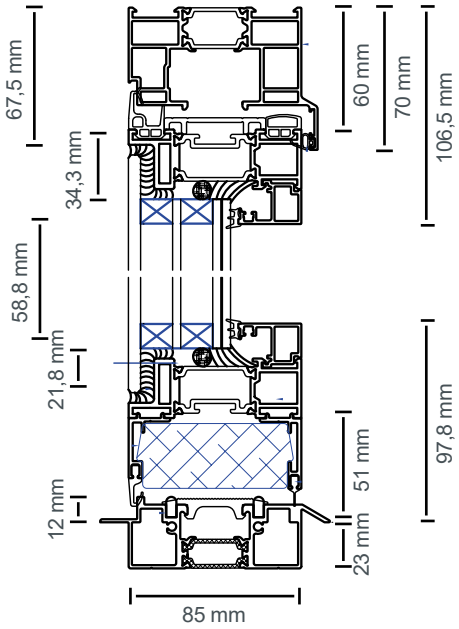
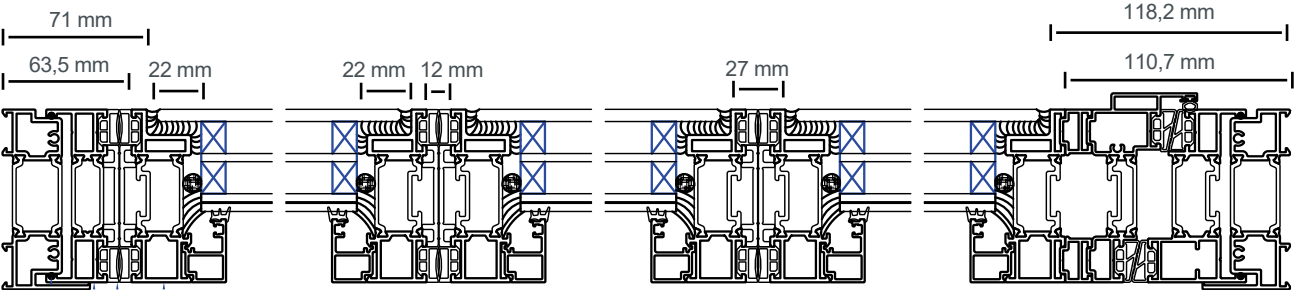
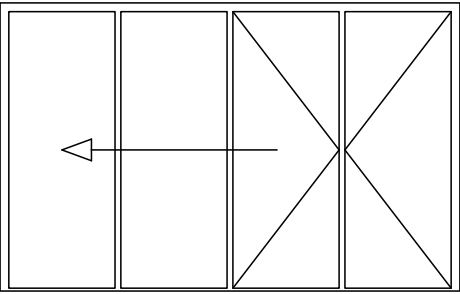
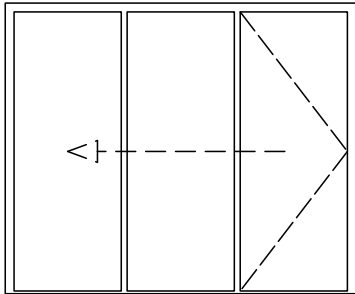


105 mm

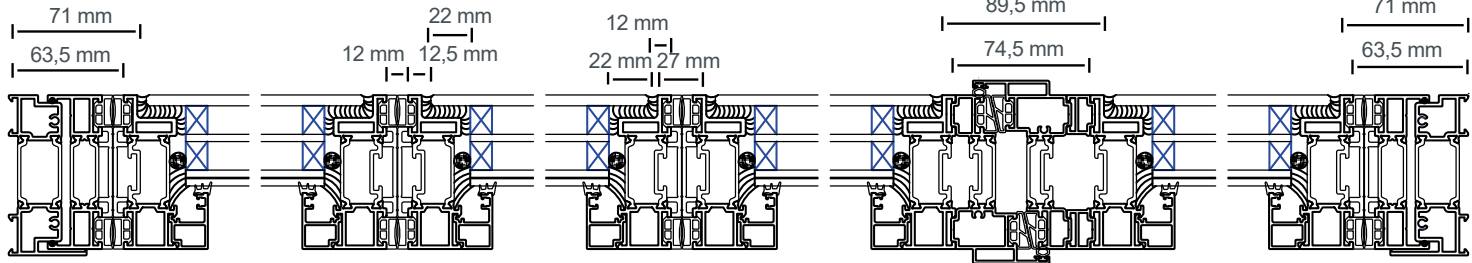


159,1 mm

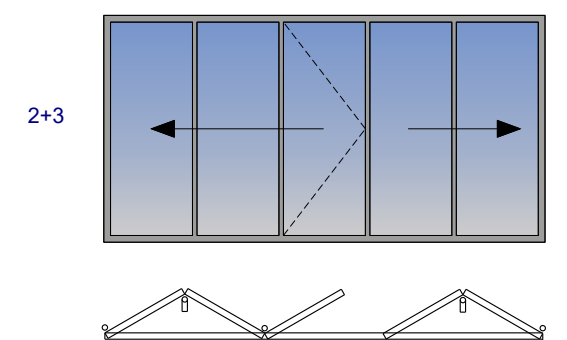
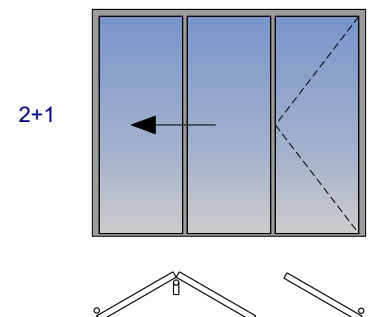
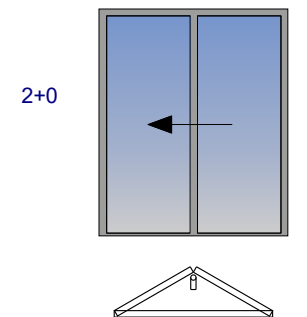
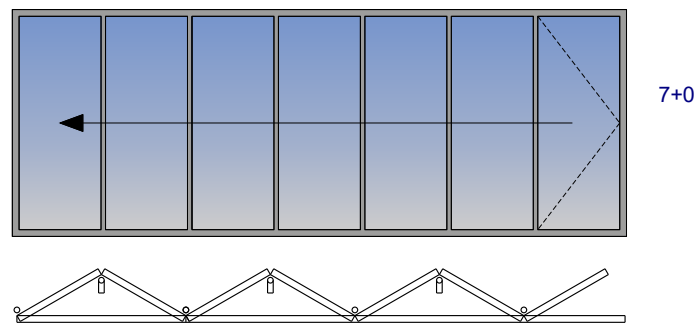
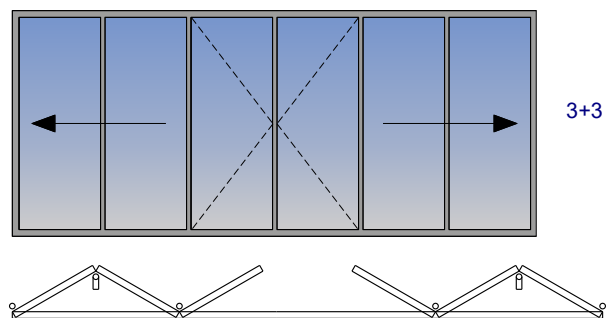
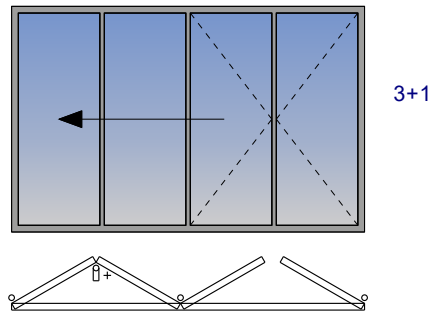
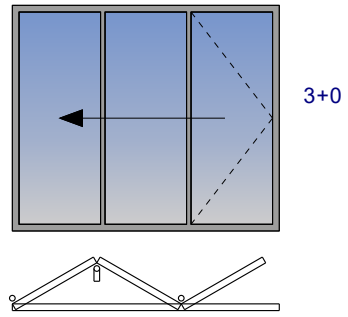
3+1 semi-structural



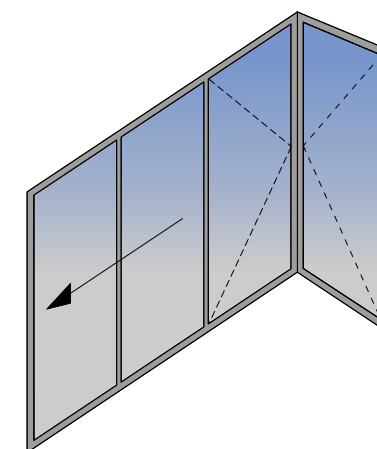
3 vents semi-structural



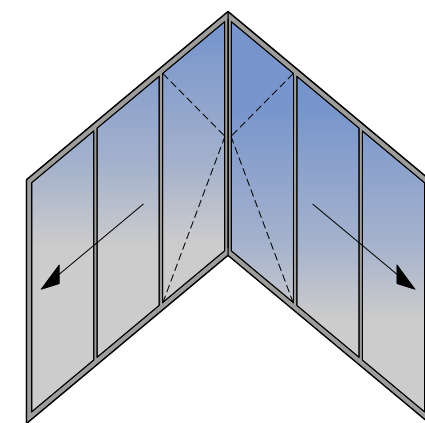
# Applications



All typologies are compatible with:  
/ standard (glazing bead) and semi-structural sash  
/ standard and low threshold (embedded)  
/ straight and corner structures  
/ outward or inward opening




3+1 Corner construction





3+3 Corner construction

# Performance

## CERTIFICATION


 Water tightness  
EN 12208:1999-11

 Air permeability  
EN 12207:2016-12

 Wind load resistance  
EN 12210:2016-03

 Wind load resistance  
EN 12210:2016-03

 Burglar Resistance  
EN 1627-1630

 Burglar Resistance  
PAS24 (UK)

## CLASSIFICATION

1A (0 Pa)	2A (50 Pa)	3A (100 Pa)	4A (150 Pa)	5A (200 Pa)	6A (250 Pa)	7A (300 Pa)	<b>8A (450 Pa)</b>	9A (600 Pa)
1		2			3			<b>4</b>
1 (400 Pa)	2 (800 Pa)	<b>3 (1200 Pa)</b>		4 (1600 Pa)				5 (2000 Pa)
A (≤ 1/150)			<b>B (≤ 1/200)</b>					<b>C (≤ 1/300)</b>
RC 1			<b>RC 2</b>					RC 3
Compliant								

## THERMAL PERFORMANCE

	Dimensions in mm (W x H)	U <sub>w</sub> in W/m <sup>2</sup> K (U <sub>g</sub> = 0,6)	U <sub>w</sub> in W/m <sup>2</sup> K (U <sub>g</sub> = 0,8)	U <sub>w</sub> in W/m <sup>2</sup> K (U <sub>g</sub> = 1,1)
3+0	2600 x 3000	1,01	1,16	1,39
3+1	3450 x 3000	1,03	1,184	1,415



Corner construction



Semi-structural sash



Even-odd number of vents  
Με ζυγό-μόνο αριθμό φύλλων



9-vent structure



[export@nordicfacade.com](mailto:export@nordicfacade.com)



[www.nordicfacade.com](http://www.nordicfacade.com)



+90 216 594 50 30



Ferhatpasa Mahallesi  
Akdal Sokak No:5  
Atasehir / ISTANBUL  
TURKEY

By EFTCG  
**NORDIC**  
FACADE